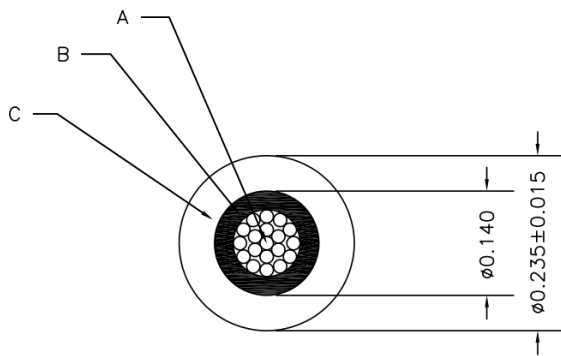




# C2075

## 13kV Single Core Silicone

### CONSTRUCTION



### KEY

- A. #12 AWG (19/#25) SILVER PLATED COPPER
- B. SEMICONDUCTIVE SILICONE RUBBER, BLACK
- C. INSULATION, SILICONE RUBBER, WHITE



### TECHNICAL INFORMATION

Part Number C2075		
Voltage	kV (DC)	13
	kV (AC)	5
Conductor Size	AWG	12
	mm <sup>2</sup>	3.31
Dielectric Material		Silicone
Outside Diameter mm		6.0
Impedance (Ohms)		24
Capacitance (pf/m)		321
Min Bend Radius mm		64
Min Ambient Temp	°F	-85
	°C	-65
Max Conductor Temp	°F	392
	°C	200
Weight kg/m		0.05

# GLOBAL PRESENCE



**UK Office:**

Genvolt, New Road, Bridgnorth, Shropshire, WV16 6NN, United Kingdom

Tel: +44 (0) 1746 862 555

Email: [info@genvolt.co.uk](mailto:info@genvolt.co.uk) Website: [www.genvolt.com](http://www.genvolt.com)

**India Office:**

**Genvolt India Private Limited**

806, Suratwala Mark Plazzo, Hinjewadi Village, Hinjewadi, Pune, Maharashtra - 411057, India

Email: [supportindia@genvolt.co.uk](mailto:supportindia@genvolt.co.uk) Website: [www.genvolt.in](http://www.genvolt.in)

**Research and Development:**

**Genvolt Ltd**

New road, Bridgnorth, Shropshire, WV16 6NN

**Factories:**

**Genvolt Ltd**

New road, Bridgnorth, Shropshire, WV16 6NN

**Boher High Voltage Power Supplies Ltd (Genvolt China)**

No. 79 Yandangshan Road, Suyu District, Suqian City, Jiangsu, China